



AM Manufacturing

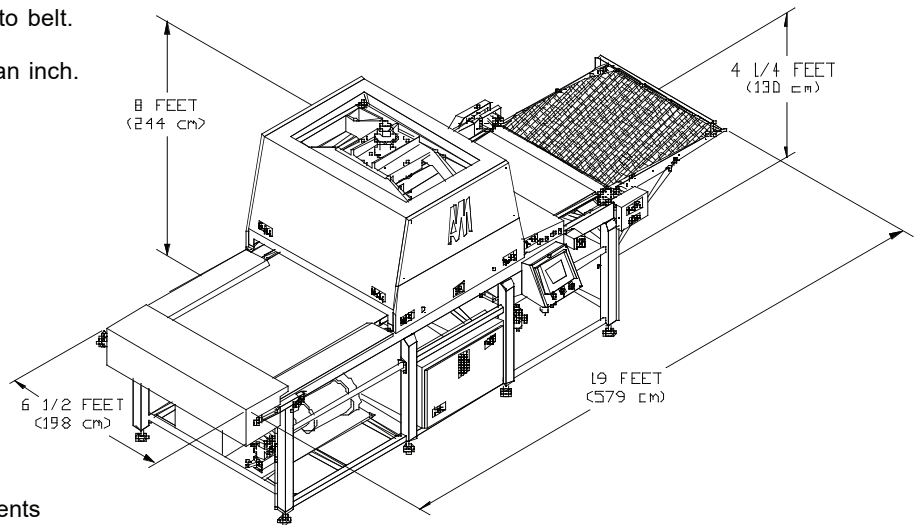
Apache 48x48 Pizza Press

Specifications

* Length	15' 1" / 460cm
* Width	63" / 160cm
* Height	94" / 239cm
* Production Rate (depending on size)	Up to 10,800 crusts per hour
* Press Force	Fully adjustable
* Press Time	Fully adjustable
* Temperature Range	0° - 500° F
* Press Belt Speed	Fully adjustable
* Discharge Conveyor Speed	Fully adjustable

Features

- * Hinged guarding is fully interlocked for optimum operator and maintenance personnel safety.
- * Allen Bradley Panel View touch control screen provides multi screen control at the touch of a button.
- * Multiple Allen Bradley PLC controlled temperature zones for even heat distribution.
- * On board hydraulics are standard, optional centralized hydraulic systems available.
- * Sanitary wash down frame design insures no standing water inside frame.
- * Press Belt indexing is servo driven to accurately place product.
- * Tens of Thousands of dollars less than comparable presses!
- * Adjustable guide system eliminates lateral platen movement
- * Replacement parts are standard items easily available.
- * Open frame design allows easy access for cleaning and maintenance.
- * Industrial, heavy gauge stainless steel tubular frame construction.
- * Quick release belt tensioners for fast access to belt.
- * Automatic belt tracking.
- * Easy platen leveling to within thousandths of an inch.
- * Platen travel is fully adjustable from 0" to 4".
- * Temperature range up to 500° F (260° C).
- * Full one year warranty.
- * Integration of existing production equipment.
- * CE Markings available.



Electrical Requirements

Please Call an AM Representative for Requirements



45 Garema Circuit, Kingsgrove NSW 2208 Australia
 t. +61 2 9740 5122
 e. info@rvo.com.au
 www.rvo.com.au