



AM Manufacturing

Scale-O-Matic S300

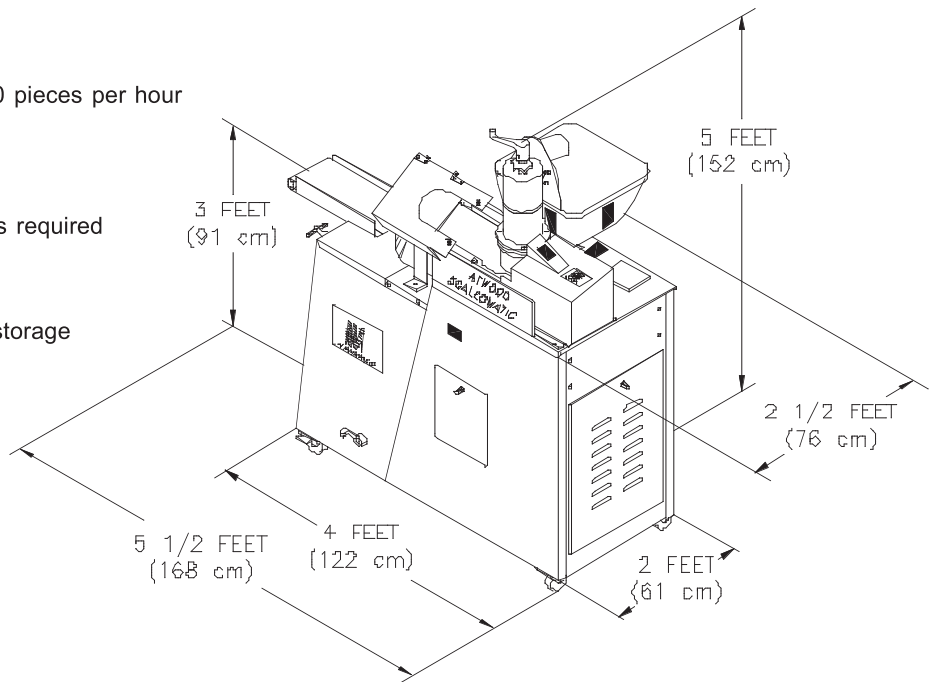
Specifications

* Length	64" / 163cm
* Width	24" / 61cm
* Height	58" / 147cm
* Production Rate	2,000 pieces per hour
* Scaling range	AMS2 Measuring Cup--2 to 4 oz. / 56 to 227g AMS3 Measuring Cup--4 to 10 oz. / 112 to 280g AMS5 Measuring Cup--10 to 32 oz. / 280 to 896g
* Shipping Weight	1,000 lbs. / 455 kg

Dough Divider & Rounder

Features

- * Precise dividing from 2 to 32 oz. at a rate of 2,000 pieces per hour
- * Accurate weight change with the turn of a crank
- * One man operation
- * All stainless steel cabinet
- * Easily movable on locking swivel casters
- * Rounder easily disassembled for cleaning, no tools required
- * 100 lb. hopper capacity
- * Separate controls for divider and rounder
- * Rounder can be used separately
- * Adjustable height take off conveyor; folds up for storage
- * No need to adjust rounder when changing size
- * Automatic oiling system on divider
- * Divider easily disassembled for cleaning
- * 2HP divider motor
- * 1 HP rounder motor
- * Made in the U.S.A.
- * Parts and Service are readily available
- * Full one year limited warranty



Optional Equipment

- * Extended Hopper (140 lbs. capacity)
- * Computerized Variable Speed
- * External Oil Tank
- * Extended Outfeed Conveyor

Electrical Requirements

- * 208 or 220 volt / 20 amps
- * Single or 3 phase 60 Hz.
- * For other options or custom voltages, please contact our factory.
- * UL listing applies to control panel only
- * ETL listing applies to entire machine



45 Garema Circuit, Kingsgrove NSW 2208 Australia
 t. +61 2 9740 5122
 e. info@rvo.com.au
 www.rvo.com.au