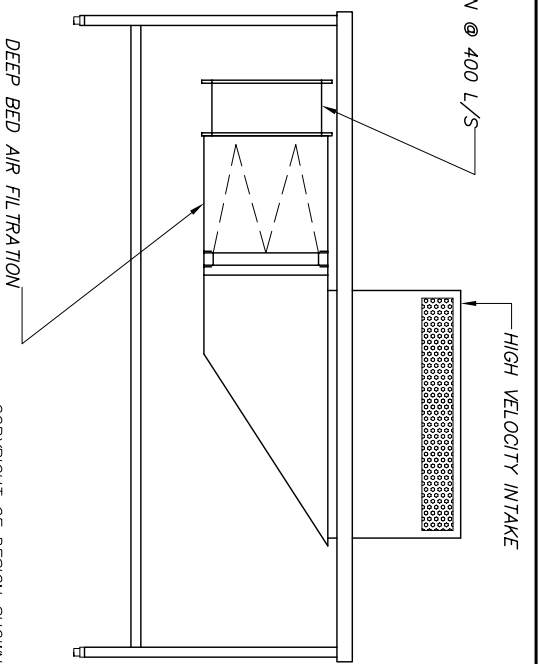
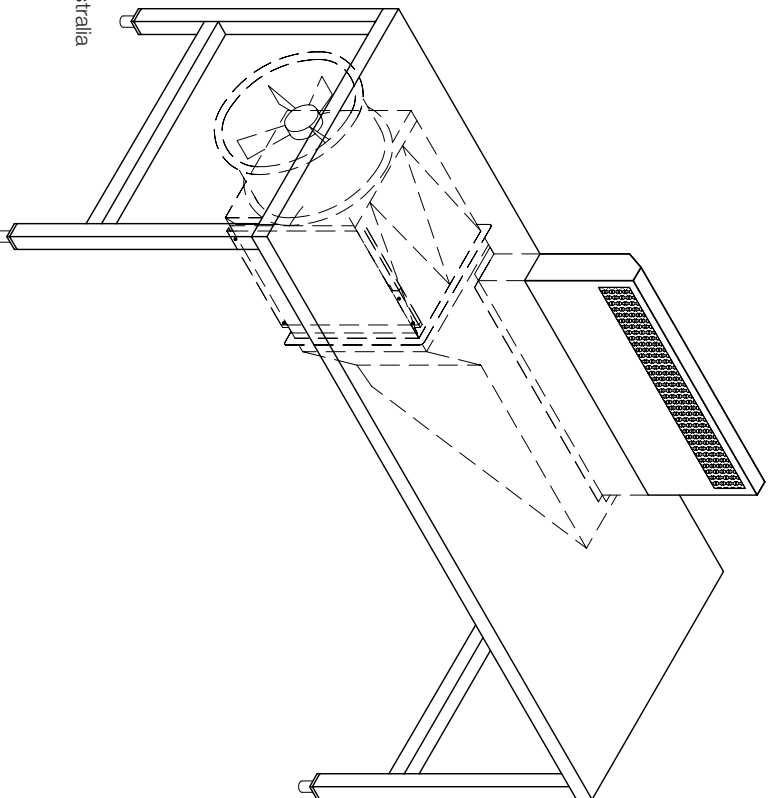
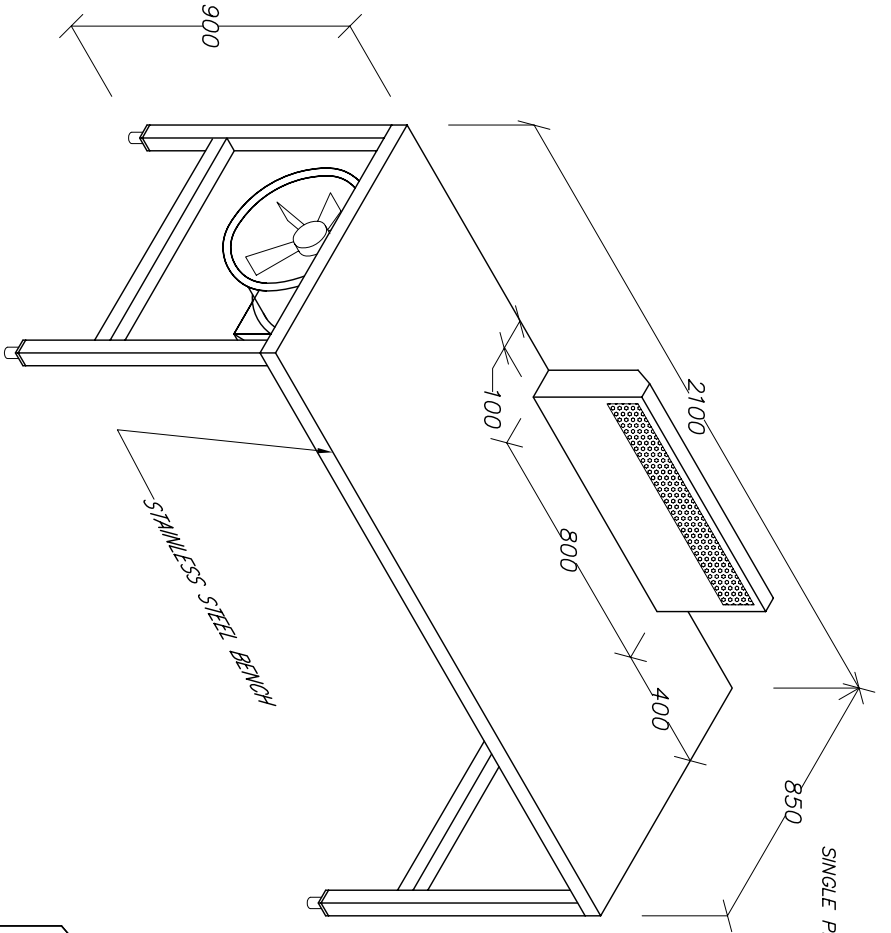




45 Garema Circuit, Kingsgrove NSW 2208 Australia  
t. +61 2 9740 5122  
e. info@rvo.com.au  
www.rvo.com.au



COPYRIGHT OF DESIGN SHOWN HEREIN IS RETAINED BY THIS OFFICE. AUTHORITY IS REQUIRED FOR ANY REPRODUCTION.

General Notes

No.	FOR APPROVAL	Date
1		12/06/07
Revision/Issue		

**SPEEDY VENTILATION PTY LTD**  
 A.B.N. 69 114 807 466  
 1/36 Liverpool Street  
 Ingleburn NSW 2565  
 PH: (02) 9829 8680  
 FAX: (02) 9829 8681  
 MOBILE: 0418 242312  
 EMAIL: speedy@speedyvent.com.au

Project Name and Address

**RVO - Donut Snorkel System**

Drawn By	<i>K. Walsh</i>	DRAWING No.
Date	12/06/07	2709-01
Scale	1:25 @ A4	Sheet 1 OF 1