



120 180  
240 300  
350

UNTIL BOWLS  
WITH  
CAPACITY  
300 kg - 280 l

**LIFTER FOR BOWL  
TROLLEY  
LATERAL DUMPER**

**Versatile**

**Simple and direct  
function**

**Reliable and safe**

MIXER has introduced a new addition to its line of mixers with removable bowl trolleys – a complete new line, the BLT lifter-dumper, a reliable piece of equipment with hydraulic function.

BLT lifter-dumpers are robust and versatile, designed to cater for the different requirements of artisan bakers and confectioners, and can be used both with MIXER removable bowl models as well as with models made by other manufacturers.

#### **VERSATILE**

This dumper can combine right and left side offloading and regulate different heights for emptying, thus allowing for the design of new production lines and facilitating the adaption of BLT lifters to existing production lines.

***The BLT L MANUAL can lift bowl trolleys and empty their contents either right or left of the loading direction of the trolley. This option is selected at the moment the command is given, and manual functions allow for simple and direct use.***

Special requirements or features of production lines are not a problem: MIXER technical personnel and designers can use their experience to provide clients with tailored solutions to suit their requirements.

#### **OPTIONALS**

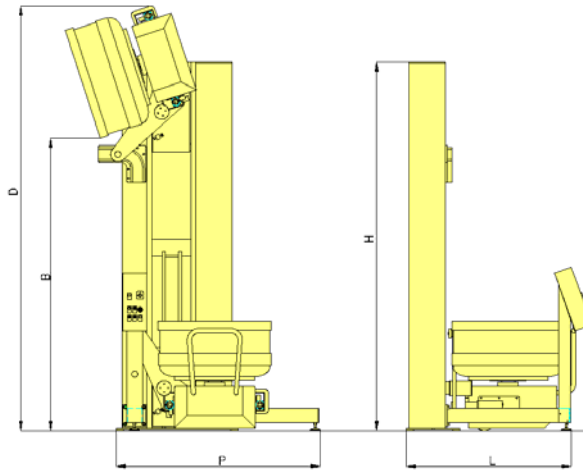
BLT L MANUAL lifters can be fitted with special connections for non-MIXER trolleys, as well as with dough discharge chute, and semi-automatic commands, with the last section of discharge taking place in human presence. The structure can be manufactured partially in stainless steel, with intermediate discharge height to its maximum height.



# BLT L MANUAL

## REMOVABLE BOWLS LIFTER-DUMPER WITH LATERAL DISCHARGE

### TECHNICAL FEATURES



#### TECHNICAL DATA

Model		BLT/120 L	BLT/180 L	BLT/240 L	BLT/300 L	BLT/350 L
Motor power (C/130-250)	kw	1.0	1.0	1.0	1.0	1.0
Motor power (C/300)	Kw	1.84	1.84	1.84	1.84	1.84
Input current V. 230 (C/130-250)	A	4.3	4.3	4.3	4.3	4.3
Input current V. 230 (C/300)	A	8	8	8	8	8
Input current V. 400 (C/130-250)	A	4.6	4.6	4.6	4.6	4.6
Input current V. 400 (C/300)	A	2.5	2.5	2.5	2.5	2.5
Height from bowl lip with trolley during discharge phase	B mm	1300	1800	2400	3000	3500
Total height with trolley during discharge phase (C/130)	D mm	2320	2820	3420	4020	4520
Total height with trolley during discharge phase (C/160-200)	D mm	2425	2925	3525	4125	4625
Total height with trolley during discharge phase (C/250)	D mm	2530	3030	3630	4230	4730
Total height with trolley during discharge phase (C/300)	D mm	2670	3170	3770	4370	4870
Total height	H mm	1925	2425	3025	3625	4125
Total width (C/130-250)	L mm	1440	1440	1440	1440	1440
Total width (C/300)	L mm	1740	1740	1740	1740	1740
Length (C/130-250)	P mm	1670	1670	1670	1670	1670
Length (C/300)	P mm	1850	1850	1850	1850	1850
Net weight	kg	730	780	900	980	1090

#### SUPPLIED STANDARD EQUIPMENT

Structure made of grey steel ral 19007 coated for combinations mod. C/FOR.E, C/PRO.E, C/AF or structure made of white steel ral 9002 coated for remaining models included couplings of trolleys not produced by us	Four meters of cable with CEE plug
Lifting system with oil-pressure cylinder	Operating/Maintenance instructions and CE statement of Compliance
Overvoltage and overload motor protection	Pallet packaging with nylon
Tension 400 V - frequency 50 Hz - 3 phases	

#### OPTIONAL EXTRA EQUIPMENT

Partial stainless steel structure (base plate, legs and electric board), the remaining parts steel grey ral 9007 coated	Intermediate discharges
Semiautomatic controls (automatic rise partial automatic descent)	Machine white steel ral 9002 coated for couplings mod. C/FOR.E, C/PRO.E, C/AF or machine grey steel ral 9007 coated for remaining models
Couple of connections for lifter with lateral discharge (1 for each trolley)	Wooden crate
Special connections for trolleys which are not produced by our company	

#### TROLLEYS TO BE COUPLED

C/ASE 130-160-200-250-300	C/AOE 230-330
C/PRO.E 200-250-300	C/AOTE 230-330
C/AF 240-300	C/IBT.E 130-160-200-300
C/FOR.E 160-240-320	

