

The Unifiller **Mini Depositor** is the modern solution for your dough depositing and extruding needs. It is built to do a wide range of products such as cookies, bars, stiff batters and pie dough. The feed auger is specially designed to be gentle on your product.

PLC Mini Depositor

Mobile and Versatile Dough Depositor

Benefits:

- **Easy to Clean** (only 4 parts)
- Portion control
- Cuts through inclusions – **BIG CHUNKS!**
- Produce up to 5400 deposits per hour
- Versatile - handles stiff batters that contain particulates (nuts, chocolate chunks, raisins or flavored chips)
- No heat transfer – no smearing and gentle on dough due to our single pitch auger drive
- Capable of sheeting up to 8" wide and 1" thick

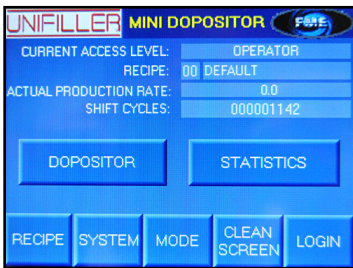
Features:

- User friendly and easy to use control panel – pre program up to 20 recipes
- Rotary cutoff valve with various sizes of dies insets available
- Hopper capacity – 35 lbs / 15.5 kg
- Variable speed conveyor
- Stainless steel mobile "C" frame
- Photo sensor and foot pedal deposit switch
- Optional sheeting nozzle available
- Tool Free

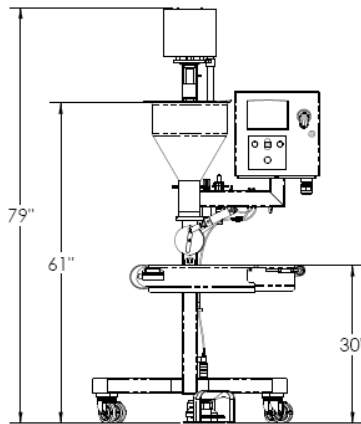
Suggested Products:

- Gourmet Cookies
- Pie Dough
- Tart Dough
- Short Crust Pastry sheeting
- Scones (round)
- Biscuit (round)
- Marzipan
- Biscotti
- Fudge Brownie Batter
- Gluten Free Dough

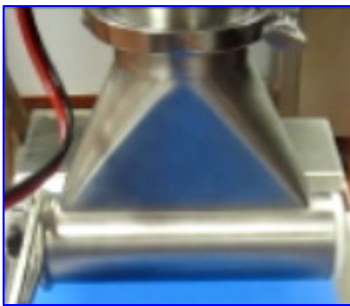




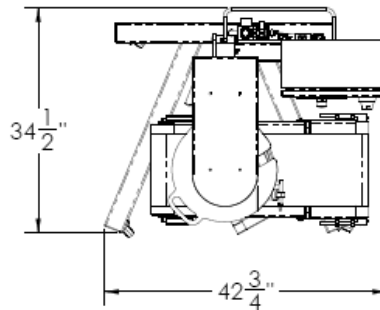
Easy to use control panel with recipe storage



Various Die sizes



8" sheeting valve



Rotary Valve

Performance Specifications:



Deposit Speed

Up to 90 cuts per minute, 5400 pieces per hour.



Power Requirement

Electric: 240 volt, 15 amp single phase
Pneumatic: 4 cfm @ 80psi (5.5 bar)



Deposit Width

Round : from 1/2 " to 3"
Sheet: from 1/8" to 1" thick and up to 8" Wide

Equipment Dimensions		
Height:	79"	200cm
Width:	42.75"	108cm
Length:	34.5"	87.5cm

Note: Equipment quoted is designed to run at the quoted speed and is dependent on operator efficiency, skill, and deposit size and product consistency.

Shipping Information:

Dimensions: 83" x 36" x 46" (211cm x 92cm x 152cm) Weight: 350 lbs (168kg)