



180  
240  
300  
350

UNTIL BOWLS  
WITH  
CAPACITY  
300 kg - 280 l

**LIFTER FOR BOWL  
TROLLEY  
FRONT DUMPER**

**Versatile**

**Simple and direct  
function**

**Reliable, safe**

MIXER has introduced a new addition to its line of mixers with removable bowl trolleys – a complete new line, the BLT lifter-dumper, a reliable piece of equipment with hydraulic function.

BLT lifter-dumper are robust and versatile, designed to cater for the different requirements of artisan bakers and confectioners, and can be used both with MIXER removable bowl models as well as with models made by other manufacturers.

#### **VERSATILE**

This lifter-dumper has frontal discharge and possibility of regulating different heights for emptying, thus allowing for the design of new production lines and facilitating the adaption of BLT lifters to existing production lines.

***The BLT F MANUAL can be used to lift bowl trolleys and empty their contents in line with the axis of the loading direction, to the opposite side. The manual version of this model allows simple and direct use. Commands are activated by operators in human presence to give safe function even without the protection cage.***

***The column can be relocated to a different side to avoid congestion.***

Special requirements or features of production lines are not a problem: MIXER technical personnel and designers can use their experience to provide clients with tailored solutions to suit their requirements.

#### **OPTIONALS**

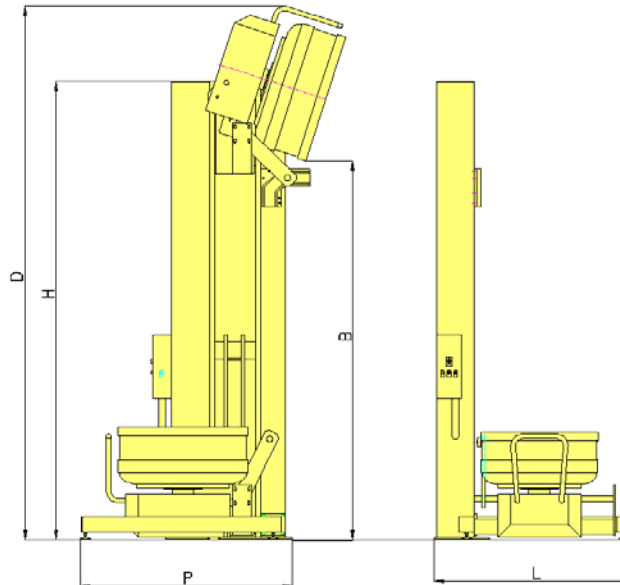
The BLT lifter can be fitted with special connections for non-MIXER trolleys, with dough discharge chute and with semi-automatic controls. In this case the cycle requires human presence for the last section of the descent, which is activated by pressing a button. Structure can be produced partially in stainless steel, with intermediate discharge height to its maximum height.



# BLT F MANUAL

## REMOVABLE BOWLS LIFTER-DUMPER WITH FRONTAL DISCHARGE

### TECHNICAL FEATURES



#### TECHNICAL DATA

Model		BLT/180 F	BLT/240 F	BLT/300 F	BLT/350 F
Motor power (C/130-250)	kw	1.0	1.0	1.0	1.0
Motor power (C/300)	Kw	1.84	1.84	1.84	1.84
Input current V. 230 (C/130- 250)	A	4.3	4.3	4.3	4.3
Input current V. 230 (C/300)	A	8	8	8	8
Input current V. 400 (C/130- 250)	A	4.6	4.6	4.6	4.6
Input current V. 400 (C/ 300)	A	2.5	2.5	2.5	2.5
Height from bowl lip with trolley during discharge phase	B mm	1800	2400	3000	3500
Total height with trolley during discharge phase (C/130)	D mm	2820	3420	4020	4520
Total height with trolley during discharge phase (C/160 – 200)	D mm	2925	3525	4125	4625
Total height with trolley during discharge phase (C/250)	D mm	3030	3630	4230	4730
Total height with trolley during discharge phase (C/300)	D mm	3170	3770	4370	4870
Total height	H mm	2420	3020	3620	4120
Total width (C/130-250)	L mm	1565	1565	1565	1565
Total width (C/300)	L mm	1770	1770	1770	1770
Length (C/130-250)	P mm	1670	1670	1670	1670
Length (C/300)	P mm	1850	1850	1850	1850
Net weight	kg	780	900	980	1120

#### SUPPLIED STANDARD EQUIPMENT

Structure made of grey steel ral 19007 coated for combinations mod. C/FOR.E, C/PRO.E, C/AF or structure made of white steel ral 9002 coated for remaining models included couplings of trolleys not produced by us	Four meters of cable with CEE plug
Lifting system with oil-pressure cylinder	Operating/Maintenance instructions and CE statement of Compliance
Overvoltage and overload motor protection	Pallet packaging with nylon
Tension 400 V – frequency 50 Hz – 3 phases	

#### OPTIONAL EXTRA EQUIPMENT

Partial stainless steel structure (base plate, legs and electric board), the remaining parts steel grey ral 9007 coated	Discharge chute l=40 cm
Semiautomatic controls (automatic rise partial automatic descent)	Machine white steel ral 9002 coated for couplings mod. C/FOR.E, C/PRO.E, C/AF or machine grey steel ral 9007 coated for remaining models
Special connections for trolleys which are not produced by our company	Wooden crate
Intermediate discharges	

#### TROLLEYS TO BE COUPLED

C/ASE 130-160-200-250-300	C/AOE 230-330
C/PRO.E 200-250-300	C/AOTE 230-330
C/AF 240-300	C/BT.E 130-160-200-300
C/FOR.E 160-240-320	



45 Garema Circuit, Kingsgrove NSW 2208 Australia  
 t. +61 2 9740 5122  
 e. info@rvo.com.au  
 www.rvo.com.au