

The **iSPOT** depositor allows you to draw and portion smooth products (without particulates) directly from a bowl or pail.

iSPOT DEPOSITOR

Direct From the Bowl!

Benefits:

- Quick and accurate deposits
- Draw product direct from bowl or pail
- Quick product change over and cleanup

Features:

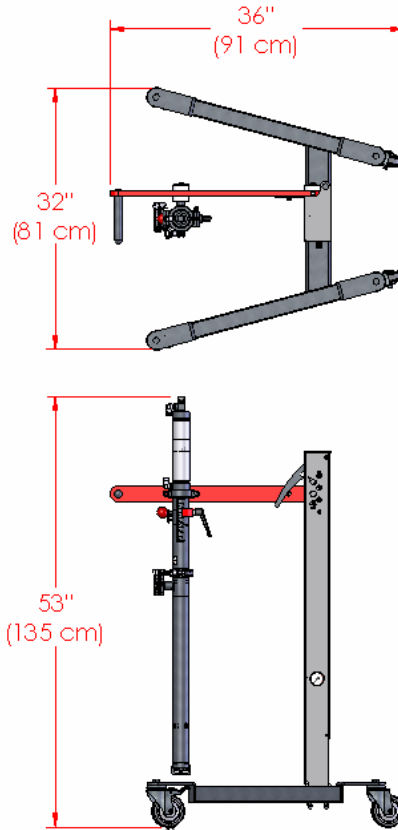
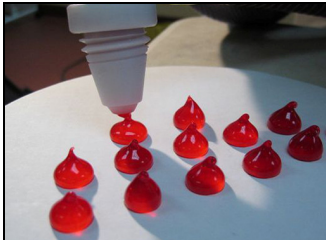
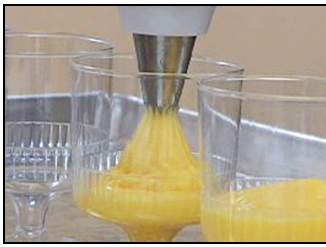
- Adjustable deposit volume
- Hand-held nozzle with food grade hose – takes all standard bakery tips
- Small footprint and 4" swivel castors making maneuverability a breeze
- Interchangeable product cylinders
- Sanitary, all-stainless steel construction
- Use with a container with up to 23" (53cm) depth
- Optional pail shelf to keep your buckets off the floor



System Includes:

- Choice of product cylinder
- 1" hand-held nozzle with 5 ft (152cm) food grade silicone hose and a set of standard bakery tips
- Quick Start Guide and Spare Parts Kit







Product Cylinder Size Chart:

Product Cylinder Size	DEPOSIT VOLUME (fl oz)			
	Min		Max	
2"	1.0 oz	30 ml	7.5 oz	(220 ml)
1.5"	0.3 oz	(9 ml)	4.0 oz	(120 ml)

Shipping Information

- Dimensions: 63" x 23" x 13" (160cm x 58cm x 33cm)
- Weight: 200 lbs. (91kg)

Performance Specifications:

	<p>Speed Up to 150 deposits/ min (9000 deposits/hr) based on portion size and product consistency</p>		<p>Power 4 CFM @ 80 PSI 84 Liters @ 5.5 Bar</p>
--	--	---	--

Note: Equipment quoted is designed to run at the quoted speed and is dependent on operator efficiency, skill, and deposit size and product consistency.