

Our **Multi** is the world's most versatile system for depositing sauces, fillings and injection. It can be fitted with a full range of interchangeable Unifiller nozzles to suit your specific requirements.

The Multi is designed to work over conveyors for automatic filling of pans, shells and many other applications.

### Benefits

- Tool-free adjustable nozzle centers
- Deposit into single cavities, round pans and sheet pans
- Drip free, accurate nozzles
- Can be fitted with many depositing nozzle options

### Features:

- 4 to 8 across portioning
- Quick Release components for thorough sanitation
- Heavy duty stainless steel construction with 5" (12.7 cm) castors for durability
- Quick product changeover
- 60-liter (16 gallon) hopper
- Optional Heated hopper, PLC control (recipe storage) and conveyor line integration

### System Includes:

- Height adjustable cantilever stand
- Diving and fixed nozzle bridge

# MULTI

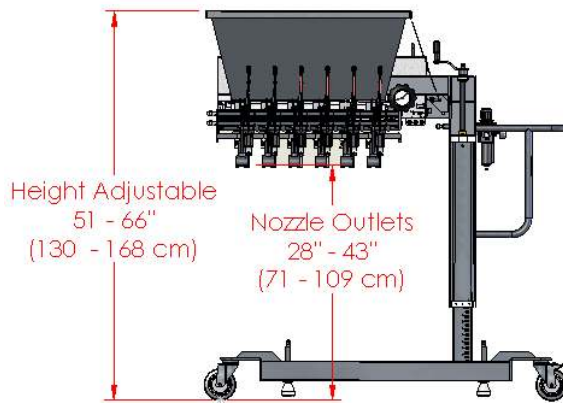
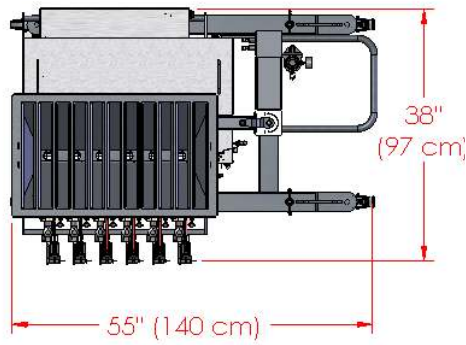
## Automated Multi-Lane Depositing

*M6 model shown here.*



CE









**Manual Fill**



Product Cylinder Size	Configuration	DEPOSIT VOLUME (fl oz)			
		Min		Max	
1.750"	Standard	1.5 oz	( 45 ml)	6.7 oz	( 197 ml)
1.125" / 1.750"	With removable Bore Reducers	0.3 oz	( 10 ml)	6.7 oz	( 197 ml)
1.125"	Small Portion Product Cylinders	0.3 oz	( 10 ml)	2.8 oz	( 82 ml)
2.125"	Large Portion Product Cylinders (M4 only)	2 oz	(60 ml)	9.9 oz	(292 ml)

## Performance Specifications:

 <p><b>Speed</b> Up to 40 cycles/ min. Based on deposit size and product consistency.</p>	 <p><b>Power</b> Air: 5 CFM @ 80PSI 141.5 liter /min @ 6.9 Bar.</p>
 <p><b>Deposit Range</b> As per deposit volumes shown in the table above.</p>	 <p><b>Particle Size</b> Up to 1/2" (13mm) of soft fruit type fillings.</p>

## Shipping Information

- Dimensions: 47" x 31" x 64" (119cm x 78cm x 162cm)
- Weight: 600 lbs (272 kg)

Note: Equipment quoted is designed to run at the quoted speed and is dependent on operator efficiency, skill, and deposit size and product consistency.